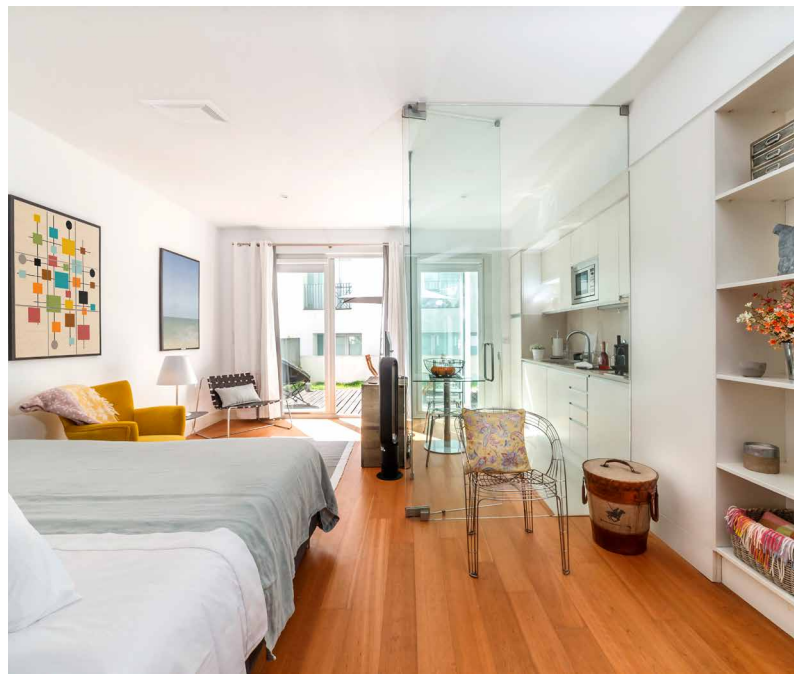
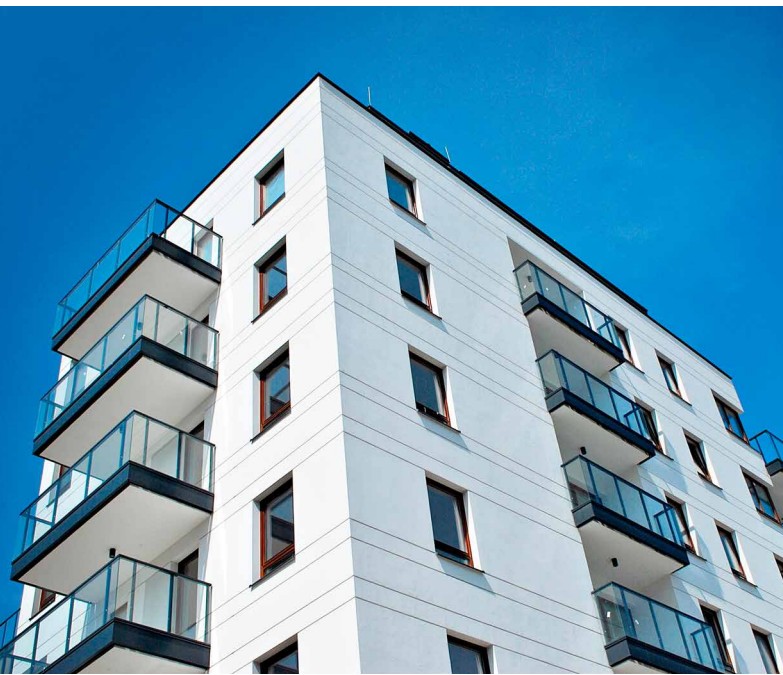


Single Room Ventilation Systems

VL100 Ducted and Wall Mounted Fresh Air Energy Recovery Ventilation



Single Room Energy Recovery Ventilation

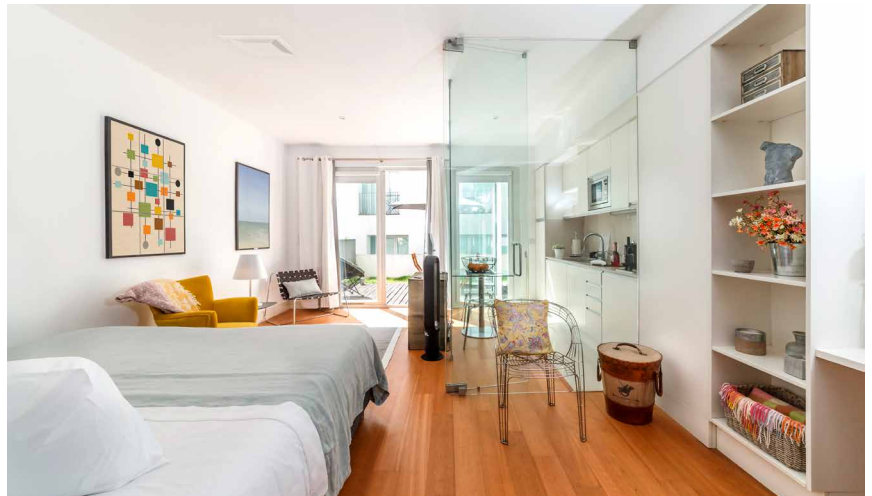
A Mitsubishi Electric Lossnay Single Room Ventilation System is designed to provide cost effective energy recovery ventilation to one specific area in the home.

The Lossnay VL100 Range includes a ducted model that is the perfect unobtrusive in-ceiling solution.

For applications without adequate roof space, there is a ductless unit purpose-built to accommodate a simple back-to-back wall mount installation.

Key Lossnay Ventilation Benefits

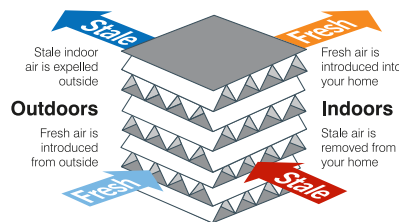
- ✓ Brings fresh filtered air in
- ✓ Removes stale air
- ✓ Reduces moisture build-up
- ✓ Improves air quality for better health and wellbeing
- ✓ Efficient energy recovery that pre-warms or pre-cools incoming air



Balanced Pressure Energy Recovery Ventilation

The balanced pressure ventilation system captures and filters fresh outdoor air (as opposed to stale attic air) to replace indoor stale air for an all-round healthier, drier and warmer room. This system is ideal for modern homes that are of more airtight construction.

The Lossnay Core



The Lossnay Core recovers energy from the extracted stale air, to pre-warm or pre-cool the incoming air.

As a result, an existing heating appliance in the room does not have to work as hard to reach desired temperatures, maximising energy efficiency and reducing your energy bill.

The Benefit of Fresh Air

Stale air with higher levels of CO₂ is a common problem not only in schools and offices but also in homes where structures are becoming more and more airtight due to more stringent building regulations.

High levels of CO₂ can affect concentration and learning as well as overall wellbeing and productivity. Furthermore, the lack of natural ventilation in airtight spaces can lead to the build-up of moisture-laden stale air. This is the perfect breeding ground for mould that can trigger allergy or respiratory problems.

The option of leaving doors and windows open to allow fresh air to enter is not always desirable or practical, with potential security risks and greater exposure to outdoor noise.

This is where a fresh air ventilation system like Lossnay can make a real difference.



Single Room VL100 Ducted Ceiling Mount Fresh Air Energy Recovery Ventilation

This ducted model is specifically designed to provide energy efficient ventilation to ensure an individual area up to 65m²* has a constant supply of filtered fresh air whilst minimising moisture build-up. Furthermore, incoming air is pre-warmed (or pre-cooled) so your existing heating appliance does not need to work as hard to reach desired temperatures.

Key Specifications of the VL100 Ducted

- Up to 64% heat exchange efficiency
- Low height 204mm
- 100mm duct diameter
- Lightweight and compact
- Low noise operation from 25dB on low fan speed
- Remote Controller
- Filter replacement notification
- Air intake can be installed away from the unit in the most convenient location
- Ideal for residential or small commercial applications with ceiling void or roof space



Single Room VL100 Wall Mount Fresh Air Energy Recovery Ventilation

This wall mounted unit provides an effective balanced pressure ventilation solution for a specific area up to 90m². Lossnay recovers energy from the air being transferred to pre-warm (or pre-cool) the fresh air drawn into the room. As a result, moisture build-up is minimised and a warmer, drier and healthier indoor environment can be maintained all year round.

Because this model is ductless in design, it is ideal for applications where there is no roof space to accommodate the heat exchanger and duct work.

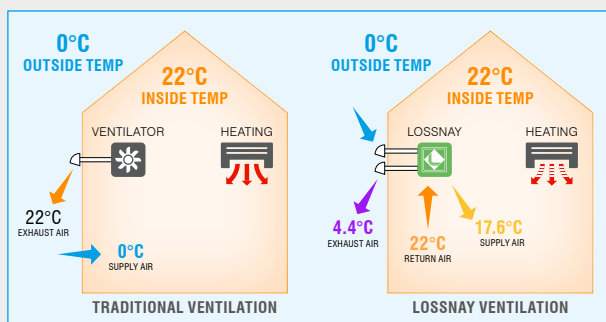
Key Specifications of the VL100 Wall Mount

- Up to 80% heat exchange efficiency
- Simple installation by drilling two 75mm diameter installation holes
- Low noise operation from 25dB on low fan speed
- Easy to clean filters
- Ideal for residential or small commercial applications where there is no roof space



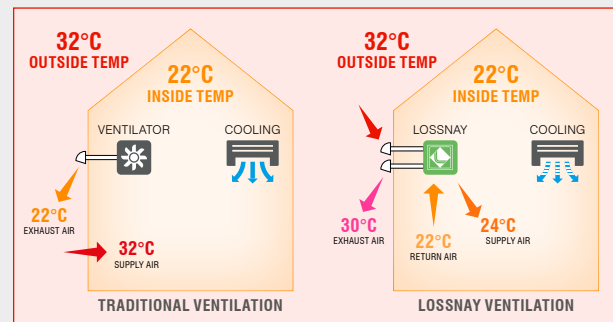
Energy Recovery Ventilation Works All Year Round

In winter a traditional ventilator captures fresh air at the cold outside temperature. Lossnay Ventilation preheats the outside air before bringing the fresh, filtered air inside.



Based on using a VL-100EU5-E at low fan speed.

In summer a traditional ventilator captures fresh air at the hot outside temperature. Lossnay Ventilation lowers the outside air temperature before bringing the fresh, filtered air inside.



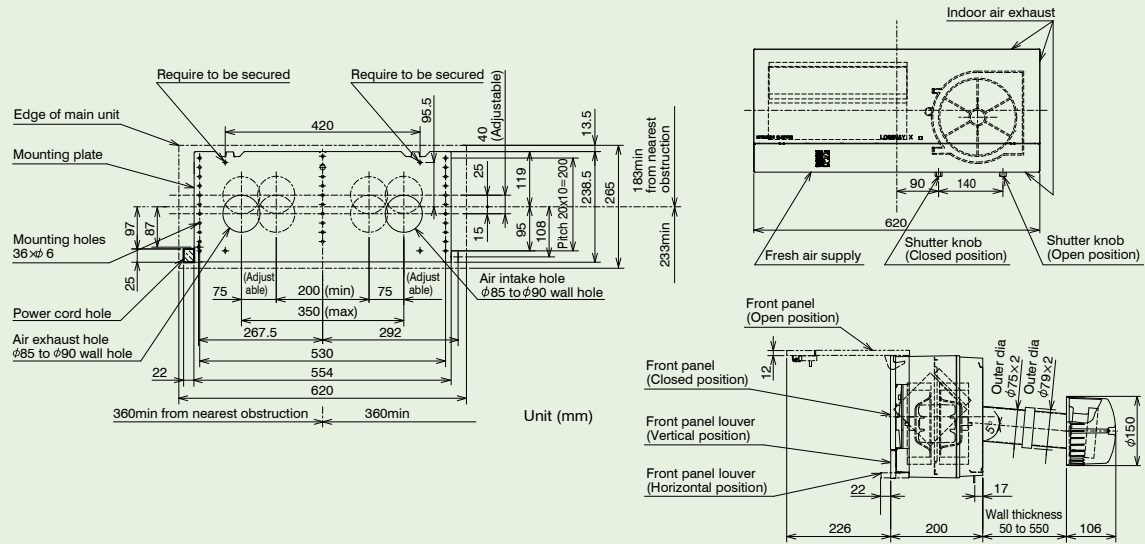
Based on using a VL-100EU5-E at low fan speed.

Lossnay Technical Specifications

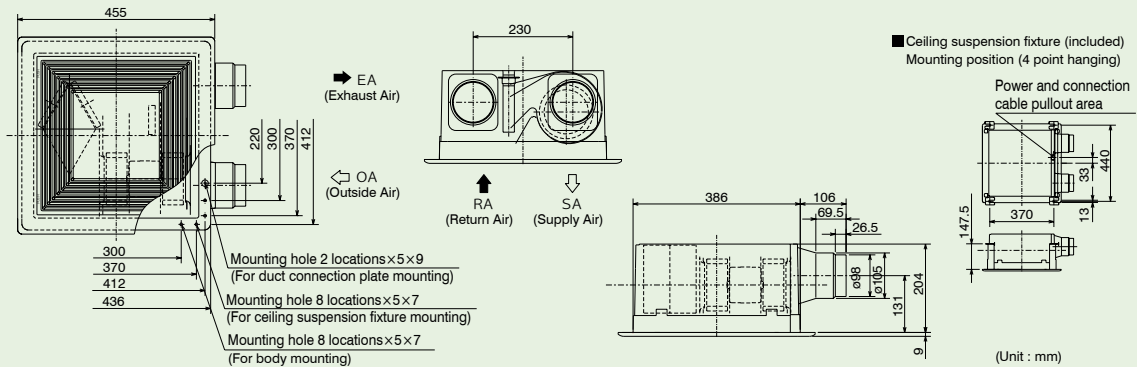


	Type	Supply Voltage (V)	Power Line Frequency (Hz)	Fan Speed	Air Volume (m3/h)	Air Volume (l/s)	Power Consumption (W)	Temp. Exchange Efficiency (%)	Noise (dB)	Weight (kg)
VL-100EU5-E	Back-to-Back Wall Mount	230	50	HI	105	29.1	31	73	37	7.5
				LO	60	16.6	15	80	25	
VL-100ZSKRT-E	Ducted Ceiling Mount	230	50	HI	78	21.7	32	52	40	6.0
				LO	42	11.7	15	64	25.5	

Single Room VL100 Wall Mount | VL-100EU5-E



Single Room VL100 Ducted | VL-100ZSKRT-E



Black Diamond Technologies Limited



Exclusive New Zealand Partner Since 1981



Wellington

Head Office
1 Parliament Street
PO Box 30772
Lower Hutt 5040

Phone 04 560 9147

Auckland

Unit 1 / 4 Walls Road
PO Box 12726
Penrose
Auckland 1642

Phone 09 526 9347

Christchurch

44 Halwyn Drive
PO Box 16904
Hornby
Christchurch 8441

Phone 03 341 2837



For more information on Mitsubishi Electric Heat Pumps please visit our website or call our Customer Service Team.

www.mitsubishi-electric.co.nz | 0800 784 382