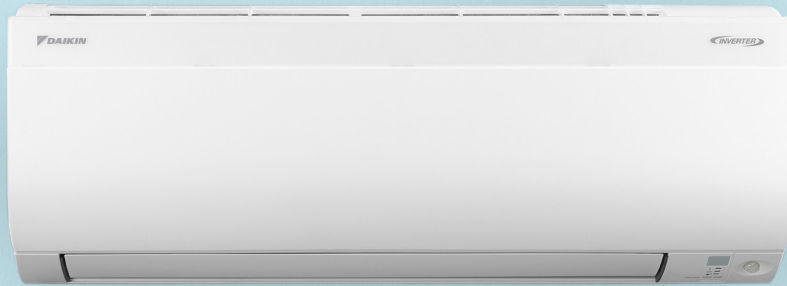




The World Leading Heat Pump Company



HEATING AND COOLING SOLUTIONS

NEW CORA

EVERYDAY EFFICIENCY

Delivering everyday efficiency to your living space, the new Daikin Cora series features higher energy star ratings, whisper quiet sound levels* and next generation odour removal technology for powerful and thorough climate and air quality control.

BEST FOR:

- HEATING OR COOLING OF SMALL TO LARGE ROOMS
- THOSE THAT ARE CONSCIOUS OF ENERGY USAGE
- MAINTAINING ROOM AMBIENCE



MATTE CRYSTAL DESIGN**

The new Cora features a beautifully redesigned front panel, with matte crystal accents for a clean, sleek appearance which blends seamlessly into any modern bedroom or living area.



PRECISION CONTROL

For even greater precision and control, you can now set your room temperature in increments of 0.5°C to ensure optimal comfort conditions all year round.



COMFORT AIRFLOW

Discharge louvres are specially designed to stream cooling air upwards along the ceiling (coanda effect) and warm air down along the floor. This delivers rapid cooling or heating and even temperature distribution.

* 20-25-35 Class Models

** Applicable for 20-71 Class models

REVERSE
CYCLE

2.8kW
-TO-
10.3kW 9
RATED HEATING CAPACITIES MODELS



DAIKIN
MOBILE CONTROLLER
OPTION



2-AREA INTELLIGENT EYE

The 2-area Intelligent Eye* is so clever it can now either direct airflow towards you or away from you for draught free comfort. If the room is unoccupied the unit will automatically enable energy saving operations.



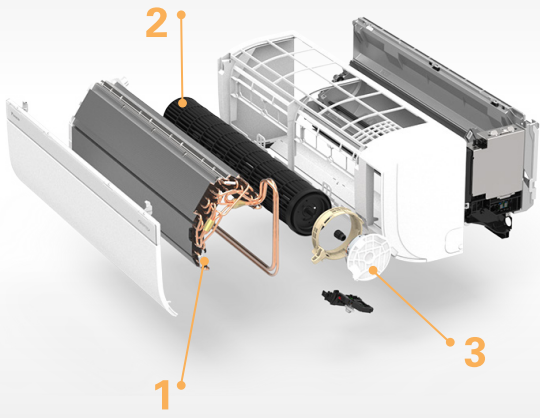
PROGRAM DRY FUNCTION

Besides reducing humidity, this function automatically controls temperature and airflow rate and will cleverly switch into cooling mode if the room temperature rises too much.



ADVANCED PURIFICATION

Each model is fitted with a titanium apatite deodorising air purification filter that traps microscopic particles, decomposes odours and even deactivates bacteria. Now featuring the new odour removing function** for even more thorough odour removal inside the unit.



TECHNOLOGY

1. REDESIGNED HEAT EXCHANGER

Slit type fin design with Ø5mm piping increases heat exchange area for improved capacity output and energy performance.

2. CROSS FLOW FAN

Large diameter rotor with aerofoil blade design delivers larger volumes of air more quietly than ever before.

3. NEW ODM MOTOR

Compact 10 pole DC outer diameter rotor motor delivers higher torque more efficiently.



Daikin Mobile Controller (Option)

Daikin's Mobile Controller allows you to control your Daikin Split System from anywhere, anytime.

ENERGY RATING 25 CLASS

COOL ★★★★★★ HEAT ★★★★★★

SPECIFICATIONS

INDOOR UNIT		FTXM20UVMZ	FTXM25UVMZ	FTXM35UVMZ	FTXM46UVMZ	FTXM50UVMZ	FTXM60UVMZ	FTXM71UVMZ	FTXM85PAVMA	FTXM95PAVMA	
OUTDOOR UNIT		RXM20UVMZ	RXM25UVMZ	RXM35UVMZ	RXM46UVMZ	RXM50UVMZ	RXM60UVMZ	RXM71UVMZ	RXM85PAVMA	RXM95PAVMA	
Rated Capacity	Cool (kW)	2.0	2.5	3.5	4.6	5.0	6.0	7.1	8.5	9.4	
	Heat (kW)	2.8	3.3	4.0	5.4	6.1	7.3	8.1	9.0	10.3	
Capacity Range	Cool (kW)	0.9-2.8	0.9-3.7	0.9-4.2	0.9-5.5	1.1-6.7	1.1-7.5	2.0-8.9	2.0-10.5	2.0-11.2	
	Heat (kW)	0.9-4.4	0.9-5.4	0.9-5.5	1.0-6.7	1.0-8.0	1.0-9.8	2.0-10.8	1.9-11.6	1.9-12.0	
Indoor Airflow Rate (H)	Cool (l/s)	152	173	175	203	267	310	310	3	372	
	Heat (l/s)	157	168	183	202	287	333	328	422	413	
Indoor Fan Speeds		5 steps, quiet and automatic									
Energy Label/Star Ratings	Cool	5	5.5	3.5	3	4	3	2.5	2	2	
	Heat	5	5	4.5	3	4.5	4	3.5	2.5	2	
Front Panel Colour		Pure White									
Power Supply		1 phase, 220-240V, 50Hz									
Power Input (Rated)	Cool (kW)	0.40	0.49	0.81	1.20	1.14	1.52	1.93	2.45	2.75	
	Heat (kW)	0.58	0.68	0.87	1.39	1.34	1.66	1.92	2.42	3.07	
E.E.R/C.O.P	Cool/Heat	5.00/4.83	5.10/4.85	4.32/4.60	3.83/3.89	4.39/4.55	3.95/4.40	3.68/4.22	3.47/3.72	3.42/3.36	
A.E.E.R/A.C.O.P	Cool/Heat	4.92/4.77	5.03/4.81	4.20/4.56	3.80/3.86	4.35/4.52	3.92/4.37	3.59/4.13	3.36/3.62	3.32/3.28	
Dimensions (HxWxD)	Indoor (mm)	285x770x226				295x990x266			340x1200x259		
	Outdoor (mm)	550x675x284			695x930x350				990x940x320		
Weight	Indoor (kg)	9	9	9	9	13	13	13	17	18	
	Outdoor (kg)	28	30	30	51	54	54	60	80	82	
Compressor Type		Hermetically Sealed Swing Type									
Refrigerant Type		R32									
Max Pipe Length	(m)	20	20	20	30	30	30	30	30	30	
Max Level Difference	(m)	15	15	15	20	20	20	20	20	20	
Pipe Sizes	Liquid (mm)	6.4	6.4	6.4	6.4	6.4	6.4	6.4	6.4	6.4	
	Gas (mm)	9.5	9.5	9.5	12.7	12.7	12.7	15.9	15.9	15.9	
Outdoor Operating Range	Cool (°CDB)	-10 to 46									
	Heat (°CWB)	-15 to 18									
Indoor Sound Level (H/SL)	Cool (dBA)	38/19	42/19	42/19	44/26	45/28	48/29	49/30	51/37	53/38	
	Heat (dBA)	39/20	40/20	42/20	43/26	45/28	48/29	49/30	51/35	52/35	
Outdoor Sound Level (H)	Cool (dBA)	46/43	47/43	49/44	47/44	47/44	49/45	53/49	54/51	54/51	
	Heat (dBA)	47/44	48/44	50/45	49/45	48/45	52/45	54/49	56/51	55/51	
Outdoor EPA Sound Power Level (H)	Cool (dBA)	58	59	61	59	59	61	65	66	66	
	Heat (dBA)	59	60	62	61	60	64	66	68	67	

- Notes: 1. The rated capacity is measured in accordance with AS/NZS 3823.1.1
 2. The cooling (or heating) output capacity will be reduced below the rated value as the outdoor temperature approaches the maximum (or minimum) outdoor temperature operating range limit.

3. The specifications, designs & information in this flyer are subject to change without notice. Unit colours shown are as close as possible to actual unit colours. Colours depicted in this flyer may vary slightly.

Your Local Daikin Specialist Dealer:



daikin.co.nz